



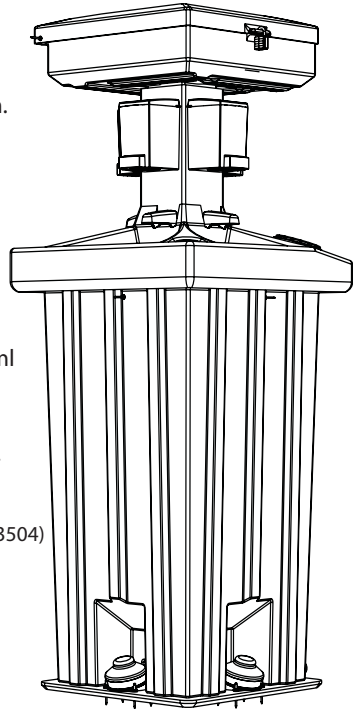
PS14 Series

4-Person Hand Wash Station

Operations & Maintenance Guide

SPECIFICATIONS

Dimension	Imperial	Metric
Height	58 in.	147 cm.
Width	22.5 in.	57 cm.
Depth	22.5 in.	57 cm.
Fresh Water Capacity	20 gal.	76 ltr.
Gray Water Capacity	22 gal.	83 ltr.
Pump Capacity (per stroke)	2 fl. oz	59.14 ml
Weight Empty	60 lb.	27 kg.
Weight Full	226 lb.	103 kg.



Paper Towel Dispenser

Four packs of single-fold towels (Georgia Pacific 23504)
250 towels per pack. 1000 per wash station.

Soap Dispensers

Capacity 30 fl. oz 887 ml

Color Options

Granite Gray, Tan, Evergreen & Army Green

We recommend reading through the entire booklet prior to proceeding with use, service or maintenance.

All materials, including resin, pigments and additives used to make the plastic components as well as the plumbing components that come in contact with the fresh water are U.S. FDA food grade compliant.

POLYJOHN USA

PolyJohn Enterprises Corp
2500 Gaspar Ave.
Whiting, IN 46394
Phone: 800-292-1305
Fax: 219-659-0625
www.polyjohn.com
info@polyjohn.com

POLYJOHN WORLDWIDE

PolyJohn (UK) Ltd.
Equinox 1 Audby Lane
Wetherby, England LS22 7RD
Phone: 44 (0) 1937-583333
Fax: 44 (0) 1937-583322
sales@polyjohn.co.uk

POLYJOHN CANADA

Rama Plastics
P.O. Box 2300
199 Forest Plain Rd.
Orillia, Ontario LV3 6S2
Phone: 705-325-4200
Fax: 705-325-8250
info@ramplastics.ca

General Product Overview & Operation Information

This self-contained, stand alone four person hand wash station is designed for use where convenient hand washing is desired or required, such as food service locations at outdoor events or construction sites. The compact design is ideal for areas where limited space is available and it is easy to transport. It features a simplified plumbing system that is easy to maintain and is supplied fully assembled.

TOOLS REQUIRED FOR SERVICE OR MAINTENANCE

- *Rivet Gun*
- *Drill with 13/64" bit*
- *Standard slotted screwdriver*

Fresh Water Delivery System

The plumbing system in this sink is simple and requires minimal maintenance. If the system becomes plugged, check the foot pumps first. Depress each foot pump and observe the level of resistance. If there is resistance and no water is dispensed, there is most likely an obstruction in the tube or at the orifice of the water tap spigot. If there is no resistance and no water is dispensed, then either a.) a tube connection is loose b.) an internal rubber part of the pump needs replacing.

Drain Plumbing System

The drain system is designed to be virtually maintenance free. Each of the four sink bowls are molded into the inner tank. Gray water drains directly into it through the three drilled holes in the bottom of each basin. These holes are kept small to minimize debris and foreign matter from entering the inner holding tank.

Pump Removal

The base plate does not need to be removed for pump maintenance. The pumps are fastened to the base plate with four PC-000104 rivets, which will have to be drilled out to remove the pumps. Quick disconnect fittings are used throughout the plumbing system. To disconnect the tubing, push the ring of the fitting toward the fitting stem while at the same time pulling out on the tubing.

Service / Maintenance Information

Filling with Fresh Water

Remove the 1" plug from the top corner of the sink. Insert a standard 1" garden or similar type hose and fill with a few gallons of fresh water to perform a system check. Depress each pump a few times to "prime" them. The pumps have built in check valves that will hold a prime between uses. Continue filling to 20 gallon capacity, which should take approximately 5 minutes with a standard garden hose and normal water pressure. The tank is full when you can see the water level in the 1" hole.

Emptying Fresh Water

Drain fresh water by unscrewing the 1/2" plug from the bottom of the sink.

Emptying Gray Water

Certain geographical areas prohibit "dumping" of gray water and require it to be properly disposed of. The gray water should be pumped-out by unscrewing the 3" cap from the top corner of the sink.

Access Inner Plumbing / Spigot Replacement

Drill out the eight PC-000117 star rivets that attach the outer tank to the inner tower. Drill out the eight PC-000104 rivets located at the spigots. Pull the spigots with elbows attached out approximately 5", disconnect the tubing by pulling the ring on the fitting toward the fitting stem while at the same time pushing out on the tubing. To reattach the spigots, we recommend using PC-000104 rivets, PC-000106 back-up washers to the PC-000104 rivet stems. To remove the paper towel holder, drill out the four PC-000105 bulbex rivets located inside the dispenser.

****NOT SHOWN**
 (4) PC-000782 - Decal Not for Drinking or Cooking
 PC-000783 - Decal Transport

PS14-0005
 Paper Towel Lid
 (2) PC-000104 - Rivet
 (2) PC-000106 - Washer

PS14-0004
 Paper Towel Holder
 (4) PC-000105 - Rivet

(4) LS04-0001
 Soap Dispenser
 (12) PC-000102 - Rivet
 (12) PC-000106 - Washer

(4) PC-000339 - Elbow
 3/8" Tube x 3/8" Mpt

(4) CT38-060 - Tube

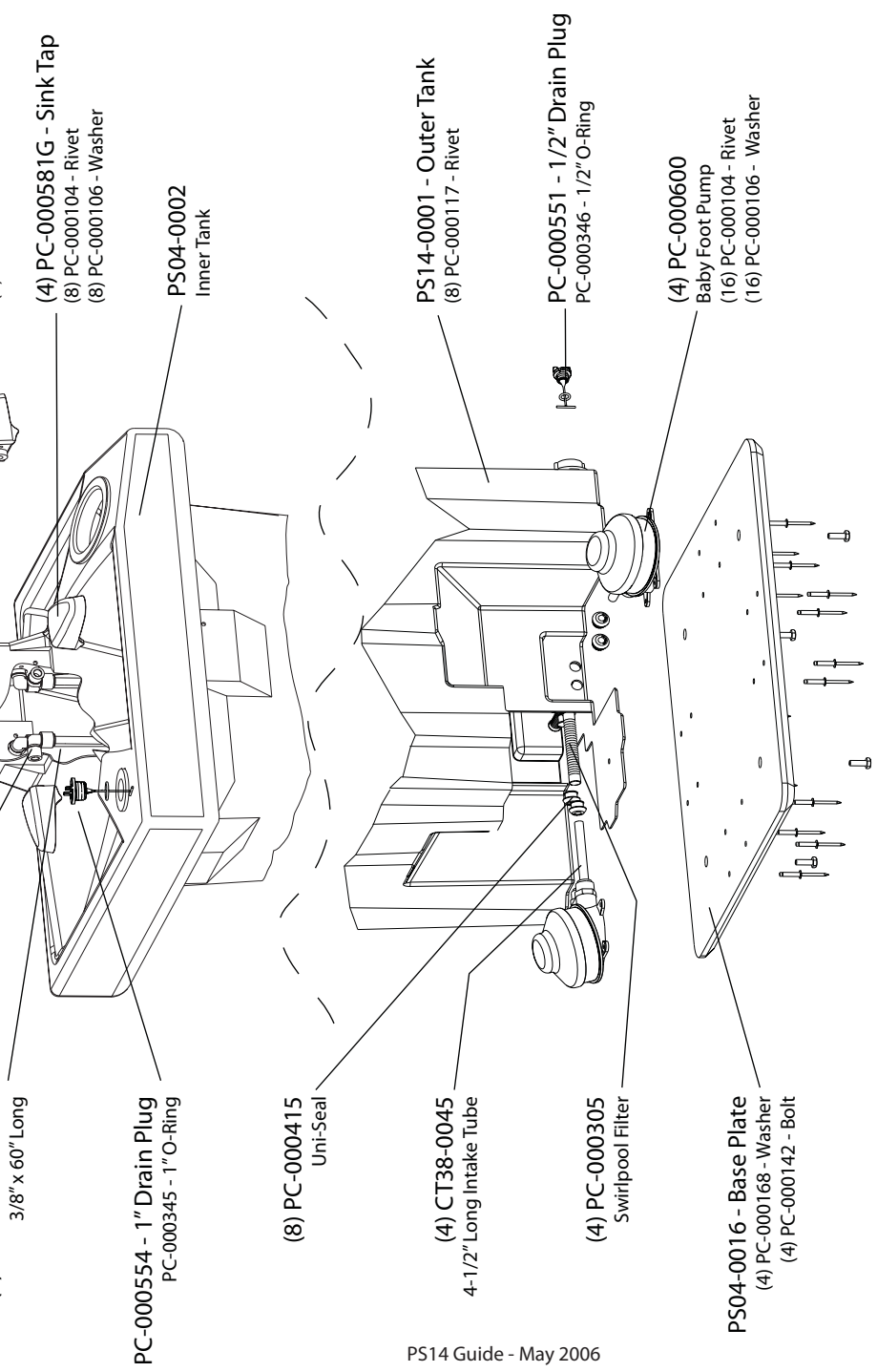
PS14-0020
 Paper Towel Assembly Complete

(4) PC-000790 - Decal
 Use Foot Pump

PC-000501 - Locking Hasp
 (2) PC-000102 - Rivet
 (2) PC-000106 - Washer

PC-000205M - Lock

PC-000550 - 3" Gray Plug
 PC-100146 Cable Tether
 (2) PC-100102 - Rivet
 (2) OC-100106 Washer



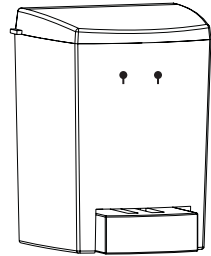
Service & Maintenance Information (Continued)

Paper Towel Dispenser

Unlock the master lock on the paper towel holder. Add one pack of single fold towels (*Georgia Pacific 23504 or equivalent*) to each compartment (*total of 4 packs*) and feed the first towel through the slots in the bottom of the towel holder body.

Soap Dispensers

Open the soap dispensers by placing your hands on both sides of the dispenser with your thumbs on the front approximately where the two dots are located (*the tips of your thumbs should be inline with the gray top, but not on it*), push in on the clear plastic while using your thumbs to “pop” the gray lid off. Locate the tab on the mounting plate at the rear of the dispenser, push in on it and slide the dispenser up and off. Fill with 30 fl. oz. of liquid soap. Refasten it to the mounting plate and snap lid back on.



IMPORTANT DECALS

NOT FOR COOKING OR DRINKING, is required by law in certain areas of the U.S. Other geographical areas require that the materials used to manufacture the sinks comply with the U.S. Federal Food and Drug Administration (FDA) guidelines 21 CFR 175.300 (resins), 177.1520 (olefin polymers) and 178.3297 (colorants for polymers). The materials also comply with the U.S. Public Health Service Drinking Water Standards, 42 CFR part 72 and U.S. Environmental Protection Agency Interim Primary Drinking Water Regulations 40 CFR part 141.

HANDS FREE PUMP, instruction for user to use foot pump to operate the sink.

UNIT MUST BE DRAINED BEFORE TRANSPORTING, reminds service operator to empty the sink before transporting.

Winterizing

- Drain all water from the tanks.
- Depress the foot pump to clear lines.
- Flush tank with a solution of chlorine and water.

CLEANING AND MAINTENANCE

Use a mild soap to clean all surfaces and component parts.

Minor scratches and abrasions can be lightly sanded or scrubbed with a mild abrasive cleaner (*such as "Soft Scrub"*) that contains calcium carbonate, hypochlorate bleach and detergents. Be sure to follow the cleaning product directions since these ingredients may cause hazardous gases when mixed with other chemicals. Rinse the cleaned area and buff with a conventional wax.

Some light scratches may also be hidden by using an industrial hot air gun.

To keep the water fresh add a "Fresh Sink Tablet" (*chlorinated tablet*) each time the sink is filled with water.

For a source of cleaning, deodorizing and paper products contact:

**RID IT
2500 GASPAR AVE.
WHITING, IN 46394-2175
800-292-1305 EXTENSION 514**

We highly recommend membership in the Portable Sanitation Association International (PSAI); the worldwide authority on portable sanitation services. The PSAI, "Portable Sanitation Industry Certification Program" manual contains a wealth of information on standards and service procedures. For more information contact the PSAI:

PORTABLE SANITATION ASSOCIATION INTERNATIONAL (PSAI)
7800 METRO PARKWAY, SUITE 104
BLOOMINGTON, MINNESOTA 55425 USA
800-822-3020 / 612-854-8300 FAX 612-854-7560
www.pesai.org

MISSION STATEMENT

"PolyJohn is a family owned, state of the art, plastics manufacturing company dedicated to providing its employees with a work environment committed to excellence, and its customers with innovative products, services and technology that meet or exceed their requirements."

THANK YOU FOR PURCHASING POLYJOHN PRODUCTS!

Look for us on the Web @ www.PolyJohn.com

