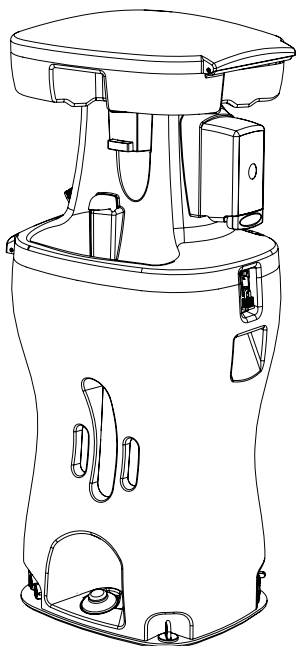




# BRAVO™

## 2-STATION HANDWASH SINK TECHNICAL INFORMATION

### SPECIFICATIONS



Dimension	Imperial	Metric
Height	62 in.	157 cm.
Width	26.5 in.	67 cm.
Depth	21.5 in.	54 cm.
Fresh Water Capacity	22 gal.	83 ltr.
Gray Water Capacity	24 gal.	91 ltr.
Pump Capacity (per stroke)	2 fl. oz	59.14 ml
Number of Single Dispenses	1408	1408
Weight Empty	70 lb.	32 kg.
Weight Full	254 lb.	115.2 kg.

#### Paper Towel Dispenser

Four packs of single-fold towels (Georgia Pacific 23504)  
250 towels per pack. 1000 per wash station.

#### Soap Dispensers

Capacity	30 fl. oz	887 ml
Total Capacity	60 fl. oz	1774 ml

*All materials, including resin, pigments and additives used to make the plastic components as well as the plumbing components that come in contact with the fresh water are U.S. FDA food grade compliant.*

We recommend reading through the entire booklet prior to proceeding with use, service or maintenance.

#### HEATER OPTION:

Tested by: \_\_\_\_\_ Date \_\_\_\_\_ Temperature: \_\_\_\_\_

#### **POLYJOHN USA**

PolyJohn Enterprises Corp  
2500 Gaspar Ave.  
Whiting, IN 46394  
Phone: 800-292-1305  
Fax: 219-659-0625  
www.polyjohn.com  
info@polyjohn.com

#### **POLYJOHN WORLDWIDE**

PolyJohn (UK) Ltd.  
Equinox 1 Audby Lane  
Wetherby, England LS22 7RD  
Phone: 44 (0) 1937-583333  
Fax: 44 (0) 1937-583322  
sales@polyjohn.co.uk

#### **POLYJOHN CANADA**

Rama Plastics  
P.O. Box 2300  
199 Forest Plain Rd.  
Orillia, Ontario LV3 6S2  
Phone: 705-325-4200  
Fax: 705-325-8250  
info@ramaplastics.ca

## General Product Overview & Operation Information

The Bravo is a supreme dual hand wash station. It features a sleek design that is unmatched in the industry and is easily transported inside most portable restrooms. The dimensions are within the United Parcel Service (UPS) shipping requirements.

The oval windows in the outer tank show off the translucent inner fresh water tank for an attractive two-tone look that also provides a functional water level indicator for users and service people alike.

This free standing wash station has been designed with extra deep sink basins so users may wash up to their elbows.

If warm water washing is desired or required, Bravo can deliver instant warm water with the water heater option.

Bravo's unique options make it an ideal choice for all types of industry.

## Optional Heater Information

### Water Heater

PolyJohn part number **HE01-1000** is available for applications where warm water washing is desired or required.

### GFCI

**Heater must be plugged into a ground fault circuit interruptor (GFCI) protected outlet or protected with a GFCI plug.** We offer a 25' length of cord with the appropriate GFCI. PolyJohn part number **PC-000640**.

The heater is designed to provide a warm hand wash maintaining a water temperature of 95 to 105 degrees Fahrenheit. The heater also provides a way of keeping the water from freezing when temperatures reach down to 10 degrees.

The system is equipped with a float switch to shut off power to the heater when the water level drops below its normal operating range.

There is an electrical inlet at the bottom of the sink. To hook-up, simply connect to an electrical cord and plug in to an outlet that is a 120 volt 15-amp GFCI protected circuit.

The LED light is provided next to the plugin to show when the power is being applied to the heater. It is normal for the light to cycle on and off over the course of several minutes. The heater temperature range is 95 to 105 degrees. The light will come on when the water temperature is below 95 degrees and it will shut off when the temperature reaches 105 degrees. The LED light will also shut off if the water level is below normal operating range.

## **Service / Maintenance Information**

### **Emptying Gray Water**

Bravo features three options to empty the gray water; Siphon, Drain or Pump.

1. Siphon - Place service wand onto rubber gasket (**BRA1-0008**). Create a tight seal. Open vacuum valve to begin siphon; siphon should begin within 5 seconds. Remove wand and allow sink to empty. If "dumping" of gray water is not approved, leave vacuum on until sink is empty.
2. Drain - There are two drains side by side at the bottom of the sink, remove the one on the left to drain the gray water.
3. Pump - Unlock the lock on the wingnut cap, unscrew the cap and pull the plug out. Unlock the lock on hinged bowl top and lift the hinged bowl top up to access interior of outer tank.

### **Emptying Fresh Water**

Drain fresh water by removing the right 1" drain plug from the bottom of the sink.

### **Accessing Pumps**

Remove the (4) 1/4" hex bolts from the base plate. The pumps are attached to the plumbing with quick disconnect fittings. To disconnect the tubing, pull the ring of the fitting toward the fitting stem while pulling out on the tubing.

### **Spigot Replacement**

Drill out the (2) PC-000104 rivets that hold the spigot in place. The spigots are attached to the plumbing with quick disconnect fittings. To disconnect the tubing, pull the ring of the fitting toward the fitting stem while pulling out on the tubing.

### **Sink Drain Plumbing System**

The drain system is designed to be virtually maintenance free. Molded in bowls allow gray water to drain directly into the gray water tank.

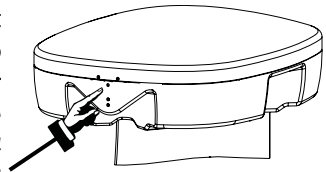
## **Service / Maintenance Information (continued)**

### **Filling with Fresh Water**

Unlock the lock on the fill cap located on the hinged side of the sink tower top between the two sink bowls. Unscrew the wingnut on the fill cap and pull the plug out. Insert a standard 1" garden or similar type hose. Fill with a few gallons of fresh water to perform a system check. Depress each pump a few times to "prime" them. The pumps have built in check valves that will hold a prime between uses. Continue filling to 22 gallon capacity.

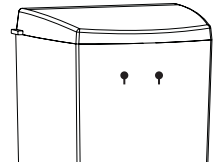
### **Paper Towel Dispenser**

To open the dispenser, insert a pointed object (*the key for the lock on the fill cap works well*) into the hole (*as indicated*) push down on dispenser lid to release the catch lock and lift up. Add one pack of single fold towels (*Georgia Pacific 23504 or equivalent*) to each compartment (*total of 4 packs*) and feed the first towel through the slots in the bottom of the towel holder body.



### **Soap Dispensers**

Follow the instructions *above* to open the paper towel dispenser. Pull out the soap dispenser mounting plate (*holding soap dispensers*) from the sink tower top. Open dispensers by placing your hands on both sides of the dispenser with your thumbs on the front approximately where the two dots are located (*the tips of your thumbs should be inline with the gray top, but not on it*), push in on the clear plastic while using your thumbs to "pop" the gray lid off. Fill with 30 fl. oz. of liquid soap.



### **IMPORTANT DECALS**

**NOT FOR COOKING OR DRINKING**, is required by law in certain areas of the U.S. Other geographical areas require that the materials used to manufacture the sinks comply with the U.S. Federal Food and Drug Administration (FDA) guidelines 21 CFR 175.300 (resins), 177.1520 (olefin polymers) and 178.3297 (colorants for polymers). The materials also comply with the U.S. Public Health Service Drinking Water Standards, 42 CFR part 72 and U.S. Environmental Protection Agency Interim Primary Drinking Water Regulations 40 CFR part 141.

**HANDS FREE PUMP**, instruction for user to use foot pump to operate the sink.

**UNIT MUST BE DRAINED BEFORE TRANSPORTING**, reminds service operator to empty the sink before transporting.

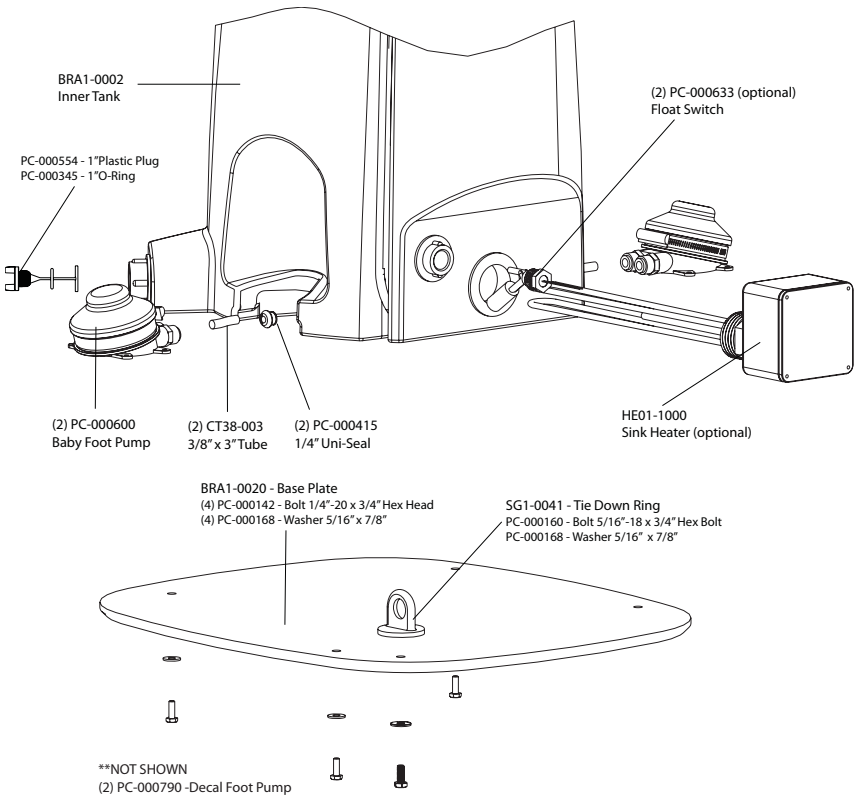
# Optional Accessories

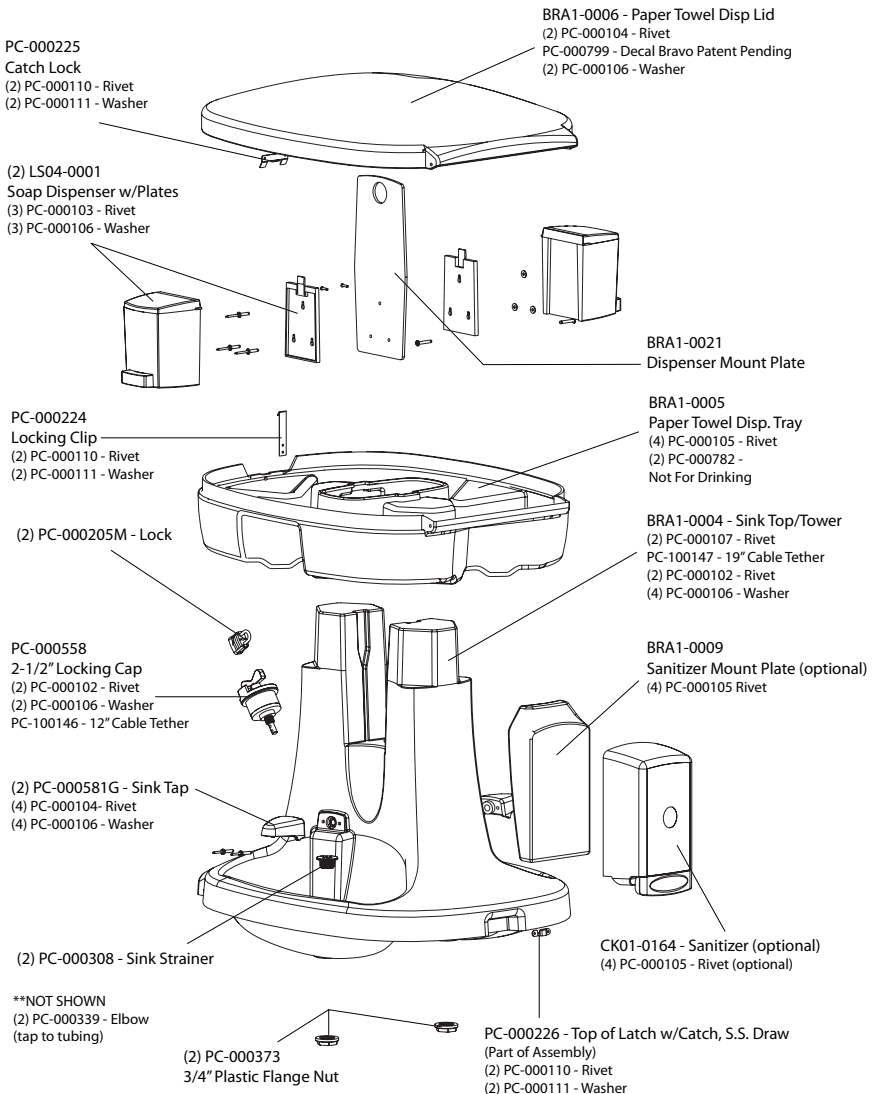
## Hand Sanitizer Dispenser

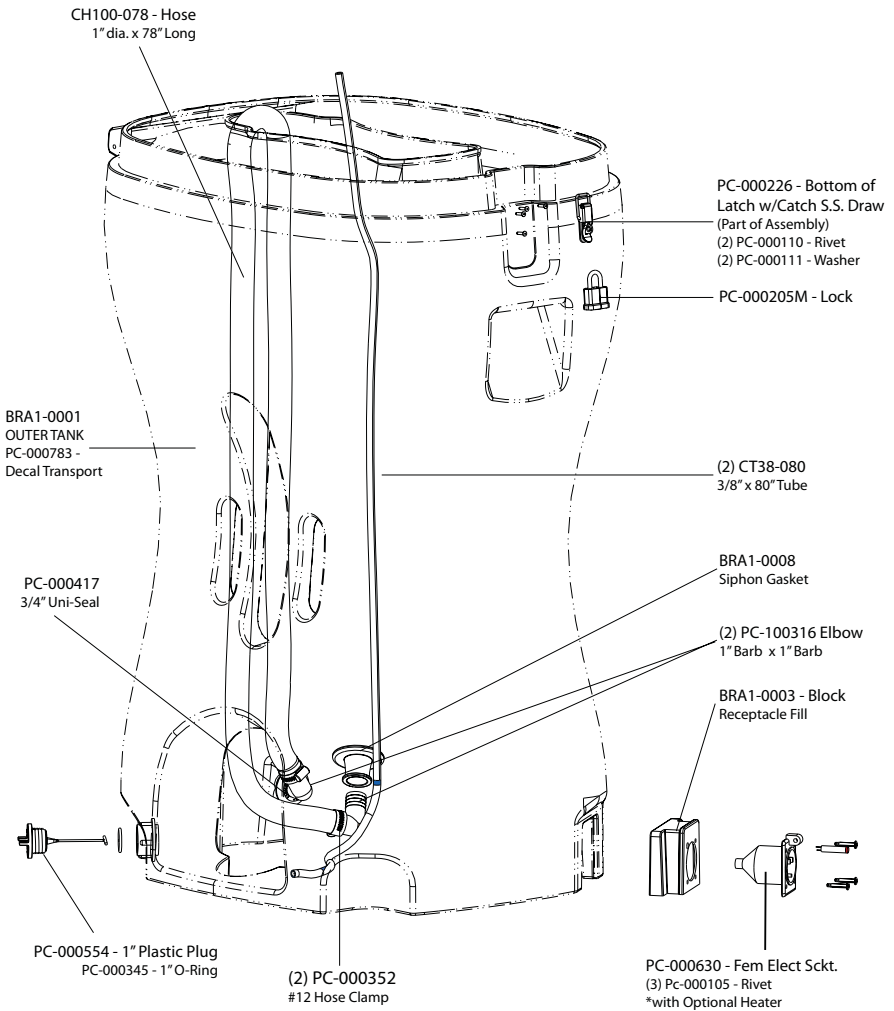
Available from PolyJohn, is part number **BRA1-0009C**: an 800ml. Hand Sanitizer Dispenser, complete with hand sanitizer, a mounting plate and rivets for mounting. For application where hand sanitizing is essential.

## Chlorinating Tablets

PolyJohn part number **CK01-0030** is available for applications where chlorinated water is desired or required. Each tablet can treat up to 29 gallons of water. Add one tablet to fresh water each time the sink is filled.







## **Winterizing**

- Drain all water from the tanks.
- Depress the foot pump to clear lines.
- Flush tank with a solution of chlorine and water.

## **CLEANING AND MAINTENANCE**

Use a mild soap to clean all surfaces and component parts.

Minor scratches and abrasions can be lightly sanded or scrubbed with a mild abrasive cleaner (*such as "Soft Scrub"*) that contains calcium carbonate, hypochlorate bleach and detergents. Be sure to follow the cleaning product directions since these ingredients may cause hazardous gases when mixed with other chemicals. Rinse the cleaned area and buff with a conventional wax.

Some light scratches may also be hidden by using an industrial hot air gun.

To keep the water fresh add a "Fresh Sink Tablet" (*chlorinated tablet*) each time the sink is filled with water.

For a source of cleaning, deodorizing and paper products contact:

**RID IT  
2500 GASPAR AVE.  
WHITING, IN 46394-2175  
800-292-1305 EXTENSION 514**

We highly recommend membership in the Portable Sanitation Association International (PSAI); the worldwide authority on portable sanitation services. The PSAI, "Portable Sanitation Industry Certification Program" manual contains a wealth of information on standards and service procedures. For more information contact the PSAI:

PORTABLE SANITATION ASSOCIATION INTERNATIONAL (PSAI)  
7800 METRO PARKWAY, SUITE 104  
BLOOMINGTON, MINNESOTA 55425 USA  
800-822-3020 / 612-854-8300 FAX 612-854-7560  
[www.pesai.org](http://www.pesai.org)

## **MISSION STATEMENT**

"PolyJohn is a family owned, state of the art, plastics manufacturing company dedicated to providing its employees with a work environment committed to excellence, and its customers with innovative products, services and technology that meet or exceed their requirements."

**THANK YOU FOR PURCHASING POLYJOHN PRODUCTS!**

Look for us on the Web @ [www.PolyJohn.com](http://www.PolyJohn.com)