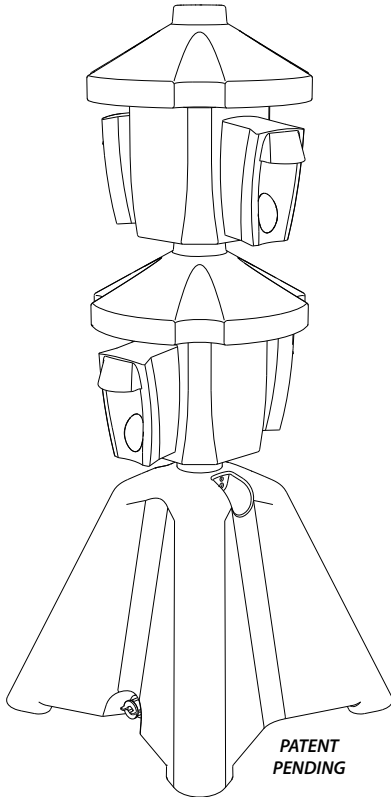




# SAN1-2100 SaniStand™ Double Hand Foam Dispenser Assembly Instructions

## General Overview

*The SAN1-2100 - SaniStand™ Double Hand Foam Dispenser is designed for use where hand washing is not available such as festivals, food service locations, petting zoos, construction sites, etc., to be used indoors or out. The base can be filled with water or sand to provide additional stability.*



## Specifications

Dimension	Imperial	Metric
Base/Top/Dispensing Pipe	28"x28"x66"	71x71x168 cm
Maximum Hand Foam Dispensers	135 fl oz (4-1000 ml refill bags)	
Number of Single Foam Dispenses	5,333 (4000-.75 ml dispenses)	
Weight Empty w/Dispensers	36 lb	16.3 kg
Base Capacity	23 gal	87.1 ltr

## ADA Compliant

### ~Assembly Tools Required~

- Drill with a Phillips Bit  
or a Phillips Head Screwdriver

### POLYJOHN USA

PolyJohn Enterprises Corp  
2500 Gaspar Ave.  
Whiting, IN 46394  
Phone: 800-292-1305  
Fax: 219-659-0625  
www.polyjohn.com  
info@polyjohn.com

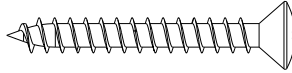
### POLYJOHN WORLDWIDE

PolyJohn (UK) Ltd.  
Equinox 1 Audby Lane  
Wetherby, England LS22 7RD  
Phone: 44 (0) 1937-583333  
Fax: 44 (0) 1937-583322  
sales@polyjohn.co.uk

### POLYJOHN CANADA

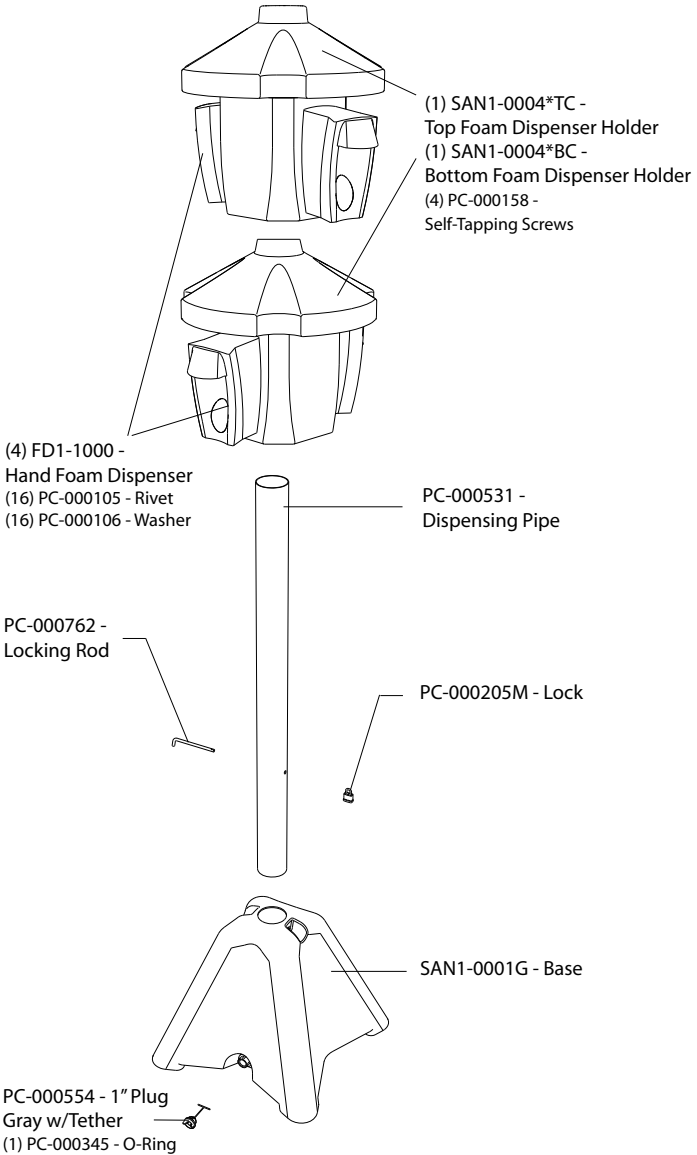
Rama Plastics  
P.O. Box 2300  
199 Forest Plain Rd.  
Orillia, Ontario LV3 6S2  
Phone: 800-465-9590  
Fax: 705-325-8250  
info@ramaplastics.ca

# Full Scale Fastener Drawing



(4) PC-000158  
Self-Tapping Screws

## Exploded View



## **Assembly Instructions**

**NOTE:** All drilling will require a 13/64" bit. \* = Specify Color Option

**Step 1.** Insert the PC-000531 - Dispensing Pipe into the SAN1-0001G - Base.

**Step 2.** Line up the pre-drilled holes of the base and dispensing pipe. Insert a PC-000762 - Locking Rod through the holes of the base and dispensing pipe and push through to the other side. Place a PC-000205M - Lock onto the locking rod and secure in place.

**NOTE:** *The suggested positioning of the Dispenser Holders would be with the Foam Dispensers in opposition of each other (the top two dispensers opposite the bottom two dispensers).*

**Step 3.** Place the SAN1-0004\*BC - Bottom Foam Dispenser Holder (*the holder with a hole through the center*) onto the dispensing pipe, lining up the corners of the holder with the corners of the base.

**Step 4.** Place the SAN1-0004\*TC - Top Foam Dispenser Holder onto the dispensing pipe, (*the holder with a center hole at the bottom*) lining up the corners of the holder with the corners of the base (*making sure that it fits snugly on the pipe*).

**Step 5.** While pushing down on the top of the holder, drive (2) PC-000158 Self-Tapping Screws through the two drill spots located along the top of the holder and through the dispensing pipe.

**Step 6.** Pull the bottom holder up so that it fits up against the bottom of the top holder (*with the foam dispensers opposite as suggested*). Drive (2) PC-000158 Self-Tapping Screws through the two drill spots located along the top of the holder and through the dispensing pipe.

## **General Use and Information**

### ***Filling a Dispenser:***

To fill a dispenser, push up on the tab from underneath the dispenser and pull down the cover. Fill with **Rid-It™ - Foam Hand Sanitizer** (*follow the instructions located on the sticker inside of the foam dispenser*). **Order Part #FD1-0001 for a case of 6 refills, available from PolyJohn.**

### ***Filling the Base:***

To fill the base with water or sand (*in order to create enough ballast to keep from being tipped over*), unlock the lock from the base and remove the lock, locking rod and dispensing pipe. Fill with either water or sand and reinsert the locking rod and lock.

**NOTE:** *When filling with sand, make sure to tilt the base on its side to keep the bottom raised area free from sand for proper re-installation of the dispensing pipe into the base.*

### ***Draining the Base:***

To drain the base if filled with water, simply loosen the PC-000554 Plug located at the bottom of the base. Hand tighten the plug when finished draining. If filled with sand, unlock the lock, remove the lock and locking rod and pull out the dispensing pipe. Turn the base upside down and empty. Reinsert the dispensing pipe, locking rod and lock when empty.

## **CLEANING AND MAINTENANCE**

Use a mild soap to clean all surfaces and component parts.

Minor scratches and abrasions can be lightly sanded or scrubbed with a mild abrasive cleaner (*such as "Soft Scrub"*) that contains calcium carbonate, hypochlorate bleach and detergents. Be sure to follow the cleaning product directions since these ingredients may cause hazardous gases when mixed with other chemicals. Rinse the cleaned area and buff with a conventional wax.

Some light scratches may also be hidden by using an industrial hot air gun.

For a source of cleaning, deodorizing and paper products contact:

**RID IT**  
**2500 GASPAR AVE.**  
**WHITING, IN 46394-2175**  
**800-292-1305 EXTENSION 514**  
**[www.rid-it.com](http://www.rid-it.com)**

We highly recommend membership in the Portable Sanitation Association International (PSAI); the worldwide authority on portable sanitation services. The PSAI, "Portable Sanitation Industry Certification Program" manual contains a wealth of information on standards and service procedures. For more information contact the PSAI:

PORTABLE SANITATION ASSOCIATION INTERNATIONAL (PSAI)  
7800 METRO PARKWAY, SUITE 104  
BLOOMINGTON, MINNESOTA 55425 USA  
800-822-3020 / 612-854-8300 FAX 612-854-7560  
[www.pesai.org](http://www.pesai.org)

## **MISSION STATEMENT**

"PolyJohn is a family owned, state of the art, plastics manufacturing company dedicated to providing its employees with a work environment committed to excellence, and its customers with innovative products, services and technology that meet or exceed their requirements."

**THANK YOU FOR PURCHASING POLYJOHN PRODUCTS!**

Look for us on the Web @ [www.PolyJohn.com](http://www.PolyJohn.com)